



G4 THERMOPRO 1.5 GALLON COFFEE BREWERS

MODELS: G4TP2S63A3100

G4TP2T10A3100



G4TP2S63A3100 SINGLE COFFEE
BREWERS WITH ONE 1.5 GALLON
TXSG1501S600 DISPENSER



G4TP2T10A3100 TWIN
COFFEE BREWERS WITH TWO 1.5 GALLON
TXSG1501S600 DISPENSERS

Brewing Technology Made Simple.

Introducing the next generation of coffee brewing... G4. The new G4 delivers high-tech advancements to make serving hot, fresh coffee even easier. Its simple, intuitive, icon-driven interface includes features that will simplify brewing operations, provide fast and intuitive training and reduce service calls and costs. All with the touch of a button.

ITEM NO

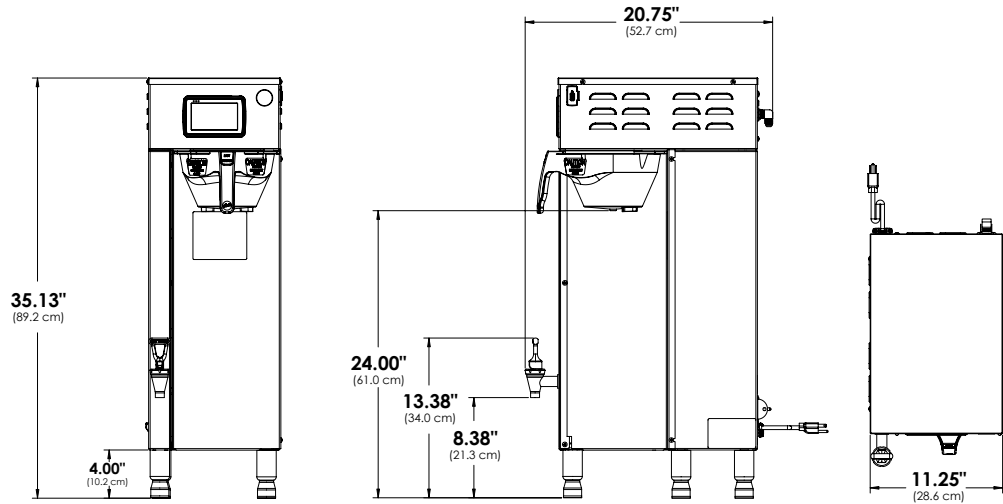
PROJECT

DATE

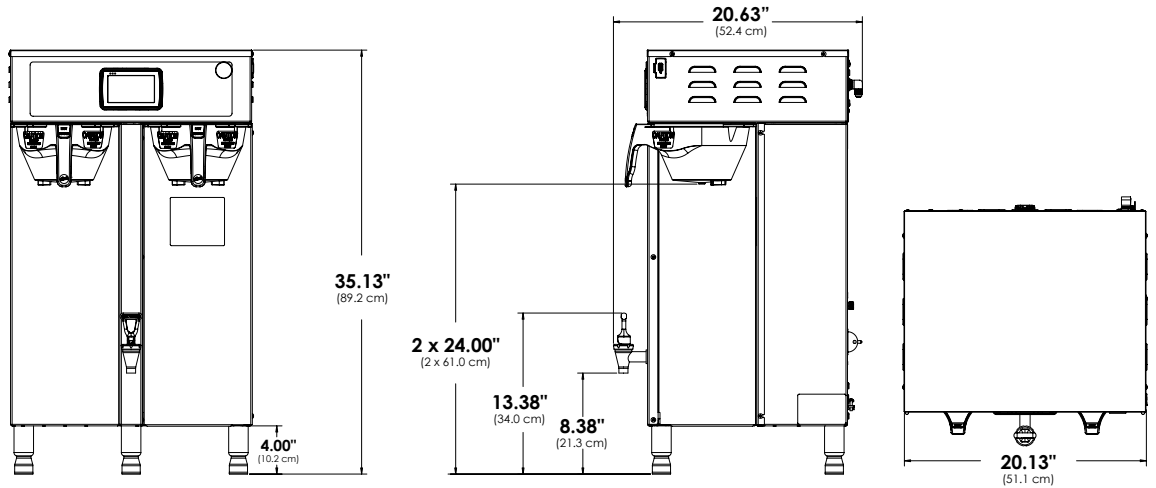
FEATURES AT A GLANCE

- Generation Four (G4) Digital Control Module – Large, 4.3" touch screen. Icon-driven interface streamlines operation.
- On-Screen Instructions – Provides fast, intuitive training; reduces service calls.
- Built-in Self Diagnostic System – Includes real-time feedback of the brewing process and energy saving mode
- Gold Cup Series™ – Digital Control Module provides precise control over all aspects of brewing: time, temperature, volume plus specialty coffee needs from pre-infusion to pulse- brewing to water bypass
- Pre-set, One-Touch Global Recipes – Based on coffee type, grind and weight. Simplifies profile setting for gourmet results every time.
- Industry's Most Effective Mineral Tolerant Design – Patented fast-wetting AFS Sprayhead and non-immersed water temperature sensor
- Encapsulated Control Board – Protects against steam, water and impact.
- Stainless Steel ThermoPRO™ vacuum-sealed servers keep coffee fresh, hot and flavorful
- Single unit is field selectable for One, Two or Three Batch brewing
- Enhanced Recovery Circuitry – boosts performance on 220V/single phase models
- All features are standard from Curtis... extra from others.

G4TP2S63A3100



G4TP2T10A3100



SPECIFICATIONS

MODEL #	DIMENSIONS (H x W x D)	PHASE (PH)	HEATER CONFIG	VOLTAGE (V)	WIRE	WATTS	AMPS (A)	MINIMUM FLOW RATE	WATER CONNECTION	SHIP WEIGHT (LBS.)	CUBE (CU. FT.)
G4TP2S63A3100	35.00" X 11.25" X 20.75"	1	2 X 1600	120/220	2W+G/ 3W+G	1800/ 2800	15.0/ 12.7	1.0	3/8" FLARE	53.0	9.6
G4TP2T10A3100	35.13" X 20.13" X 20.63"	1	3 X 2500	220	3W+G	5100/ 7600	23.0/ 34.5	2.0	3/8" FLARE	75.0	14.3

SPECIFICATIONS SUBJECT TO CHANGE WITHOUT NOTICE.



WARNING - These products can expose you to chemicals including Acrylamide and Bisphenol A (BPA), which are known to the State of California to cause cancer and birth defects or other reproductive harm. For more information visit www.P65Warnings.ca.gov